

# Tourmaster™ Storage and Transport Carts



## Cart for 6' Tourmaster® Risers with 18" steps

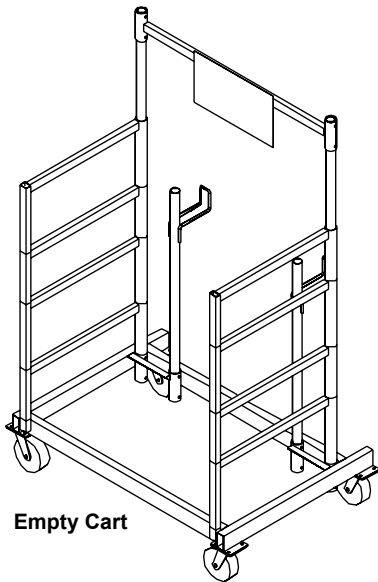
- Part number: 024F950.
- Weights and dimensions:  
Empty: 66" long x 30-1/4" wide x 77-3/4" high (1676 x 768 x 1975 mm), 166 lb (75 kg).  
With 3-step risers and back rail: 84" long x 30-1/4" wide x 77-3/4" high (2134 x 768 x 1975 mm), 800 lb (363 kg).  
With 3-step risers, back rail, and 4th step additions: 106" long x 30-1/4" wide x 77-3/4" high (2692 x 768 x 1975 mm), 1012 lb (459 kg).
- 6" (152 mm) diameter casters, all four casters swivel.
- Cart is steel construction with black baked on powder paint.
- Lift and rotate swing arms out of the way to allow risers to be easily loaded and unloaded.
- Fits through a standard 36" (914 mm) doorway.
- Cart is designed to carry four risers, four rails (back, side or a combination) and four optional 4th-steps.

## Cart for 4' Tourmaster® Risers with 18" steps

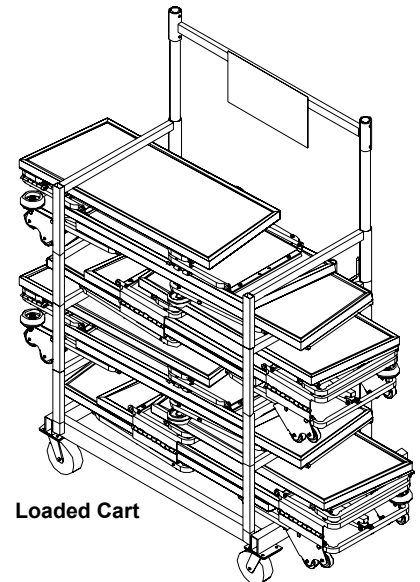
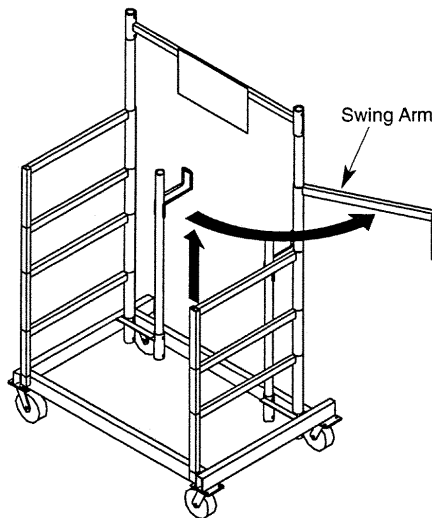
- Part number: 024F951.
- Weights and dimensions:  
Empty: 51" long x 30-1/4" wide x 77-3/4" high (1295 x 768 x 1975 mm), 160 lb (73 kg).  
With 3-step risers and back rail: 68" long x 30-1/4" wide x 77-3/4" high (173 x 768 x 1975 mm), 670 lb (304 kg).  
With 3-step risers, back rail, and 4th step additions: 87" long x 30-1/4" wide x 77-3/4" high (2210 x 768 x 1975 mm), 850 lb (386 kg).
- 6" (152 mm) diameter casters, all four casters swivel.
- Cart is steel construction with black baked on powder paint.
- Lift and rotate swing arms out of the way to allow risers to be easily loaded and unloaded.
- Fits through a standard 36" (914 mm) doorway.
- Cart is designed to carry four risers, four back rails and four optional 4th-steps.

## Cart for Tourmaster® Risers with 24" steps

- Part number: 024F952.
- Weights and dimensions:  
Empty: 51" long x 36-1/4" wide x 77-3/4" high (1295 x 921 x 1975 mm), 166 lb (77 kg).  
With 3-step risers and back rail: 68" long x 36-1/4" wide x 77-3/4" high (1727 x 921 x 1975 mm), 760 lb (345 kg).  
With 3-step risers, back rail, and 4th step additions: 87" long x 36-1/4" wide x 77-3/4" high (2210 x 921 x 1975 mm), 975 lb (442 kg).
- 6" (152 mm) diameter casters, all 4 casters swivel.
- Cart is steel construction with black baked on powder paint.
- Lift and rotate swing arms out of the way to allow risers to be easily loaded and unloaded.
- 40" (1016 mm) doorway required.
- Cart is designed to carry four risers, four back rails and four optional 4th-steps.



Empty Cart



Loaded Cart



© 2018 Wenger Corporation  
USA/2018-09/W



WENGER CORPORATION

Phone 800.4WENGER (493-6437) Worldwide +1.507.455.4100 | Parts & Service 800.887.7145 | Canada Office 800.268.0148 | wengercorp.com  
555 Park Drive, PO Box 448 | Owatonna MN 55060-0448

JR CLANCY

Phone 800.836.1885 Worldwide +1.315.451.3440 | jrclancy.com | 7041 Interstate Island Road | Syracuse NY 13209-9713

GEARBOSS

Phone 800.493.6437 | email gearboss@wengercorp.com | gearboss.com | 555 Park Drive, PO Box 448 | Owatonna MN 55060-0448