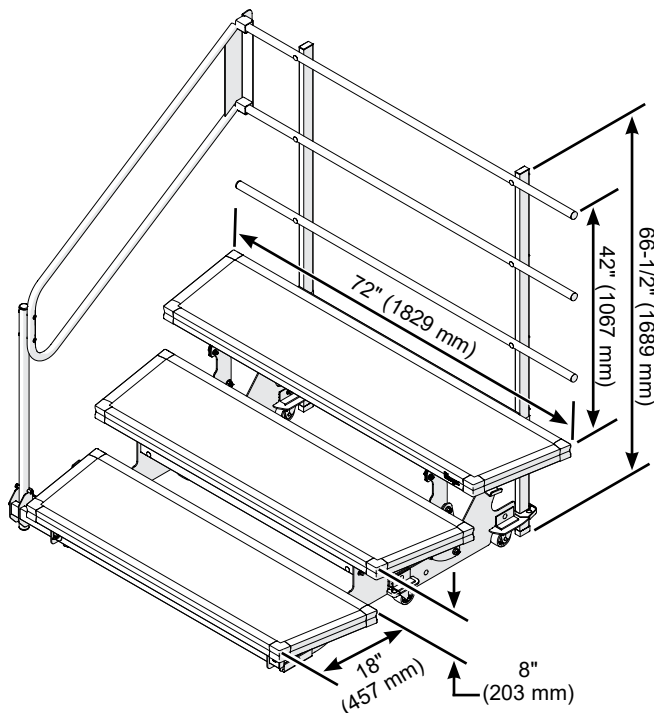
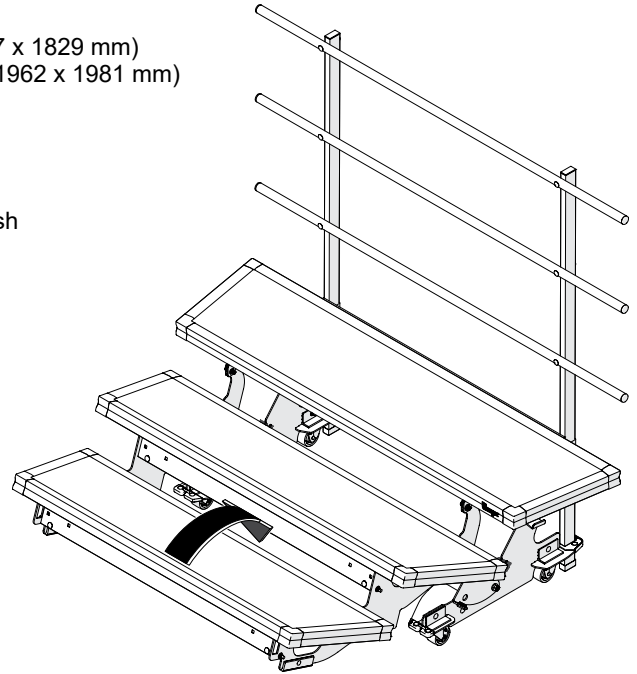
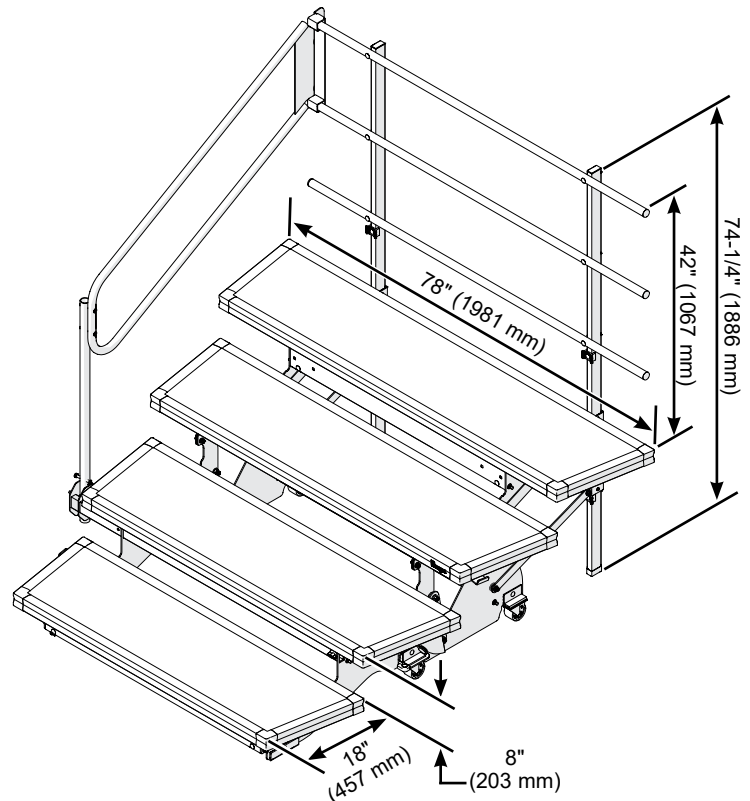


Signature® Choral Risers

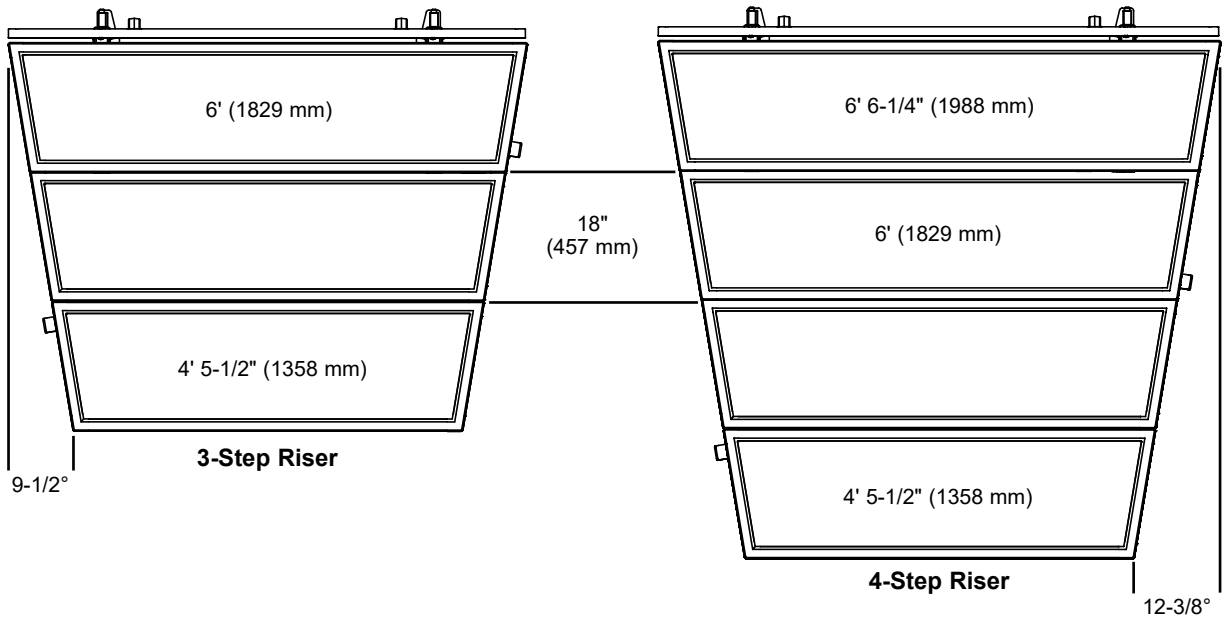
- 3-Step 098G053 227 lb (103 kg)
4-Step 098G054 316 lb (143 kg)
- Load rating of 150 lb live load capacity per ft² (732 kg capacity per m²)
- Steel construction for unparalleled stability and quiet performance
- Portable units are designed for one-person mobility and setup
- 3-Step Riser storage depth is 31" deep x 68" high x 72" wide (787 x 1727 x 1829 mm)
4-Step Riser storage depth is 31" deep x 77-1/4" high x 78" wide (787 x 1962 x 1981 mm)
Nesting of additional units reduces storage depth
- Both the 3-Step and 4-Step models have a 42" (1067 mm) high back rail that meets OSHA standards
Risers fold with the back rail attached
- Riser frame, back rails and side rails have a black powder-coat paint finish for maximum safety and durability
- Steps are 18" (457 mm) deep and the rise of each step is 8" (203 mm)
Steps are covered with manufacturer's standard grey carpet
- Built-in reversibility allows for straight or semi-circular configuration
- Designed for in-facility use and easily fits through standard doorways
Units have built-in swivel action wheels for maneuvering in tight spaces
- Optional Side Rail Accessory (set of 2) 098G541 62 lb (28 kg) attaches to the riser and back rail
Side Rail can be removed with the mounting brackets left attached during storage
- Assembly is required, approximate assembly time is 45 minutes for the first unit and 30 minutes for each additional unit
Assembly videos are available at www.wengercorp.com
- Environmental attributes and LEED compliance for this product can be found at www.wengercorp.com/GREEN or by contacting your Wenger representative
- Fifteen-year warranty
- Patented design



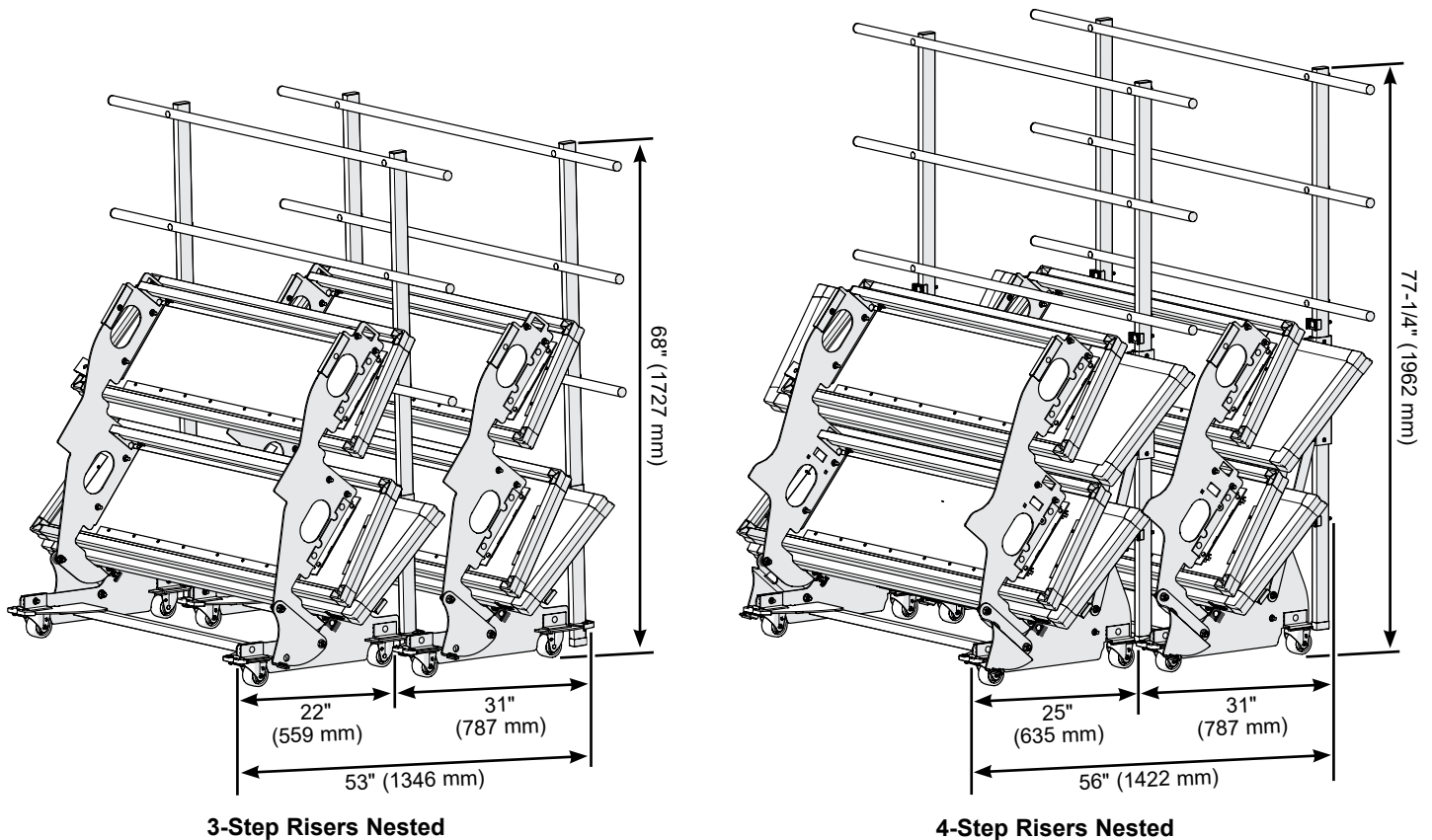
3-Step Riser with Optional Side Rail



4-Step Riser with Optional Side Rail



Risers nest together in the storage position, minimizing required storage space.



**PURCHASE
ONLINE!**



© 2019 Wenger Corporation
USA/2019-09

MUSIC EDUCATION AND PERFORMING ARTS

Owatonna Office: Phone 800.4WENGER (493-6437) Worldwide +1.507.455.4100 | Parts & Service 800.887.7145 | wengercorp.com
555 Park Drive, PO Box 448 | Owatonna | MN 55060-0448

Syracuse Office: Phone 800.836.1885 Worldwide +1.315.451.3440 | jrclancy.com | 7041 Interstate Island Road | Syracuse | NY 13209-9713

ATHLETICS Phone 800.493.6437 | email gearboss@wengercorp.com | gearboss.com | 555 Park Drive, PO Box 448 | Owatonna | MN 55060-0448