

# Mobile Folio Cabinets

- Wall panels and optional lockable doors are 3/4" (19 mm) thick industrial grade composite wood with no added formaldehyde and polyester laminate finish in Wenger standard colors.
- Shelves are 1/8" (3 mm) thick tempered hardboard.
- Choral shelves are 11-1/2" wide x 12-1/2" deep (292 x 318 mm) and Band/Orchestra shelves are 14-1/4" wide x 14-1/2" deep (362 x 368 mm).
- Available in 1", 1-1/2", 2", 2-1/2", and 3" (25, 38, 51, 63, and 76 mm) shelf height openings to accommodate various thicknesses of folios.
- Shelf support columns are extruded aluminum with black powder-coat paint finish.
- Each cabinet includes four 3" (76 mm) swivel casters (two locking) to make transport easy. Four column choral cabinet contains six swivel casters for added support when transporting.
- UL GREENGUARD Certified - Product certified for low chemical emissions: [ul.com/gg](http://ul.com/gg) - UL 2818.
- Environmental attributes and LEED compliance for this product can be found at [www.wengercorp.com/GREEN](http://www.wengercorp.com/GREEN) or by contacting your Wenger representative.
- Number strips included for all shelf spacing options.
- Cabinets are shipped fully assembled.
- Wall mounting bracket included for tall folio cabinets.
- Ten-year warranty.

**Mobile Choral Folio Cabinets:**

**146M022, Two-column Choral Folio Cabinet:**

- Cabinet only 125 lbs. (57 kg), with doors: 149 lbs. (68 kg) (based on 1-1/2" shelf spacing).
- Cabinet is 26-3/4" wide x 17-5/8" deep x 50-7/8" high (679 x 448 x 1292 mm).

**146M023, Three-column Choral Folio Cabinet:**

- Cabinet only 169 lbs. (77 kg), with doors: 205 lbs. (93 kg) (based on 1-1/2" shelf spacing).
- Cabinet is 39-7/16" wide x 17-5/8" deep x 50-7/8" high (1002 x 448 x 1292 mm).

**146M024, Four-column Choral Folio Cabinet:**

- Cabinet only 216 lbs. (99 kg), with doors: 298 lbs. (135 kg) (based on 1-1/2" shelf spacing).
- Cabinet is 51-3/4" wide x 17-5/8" deep x 50-7/8" high (1314 x 448 x 1292 mm).

**Mobile Band/Orchestra Folio Cabinets:**

**146M032, Two-column Band/Orchestra Folio Cabinet:**

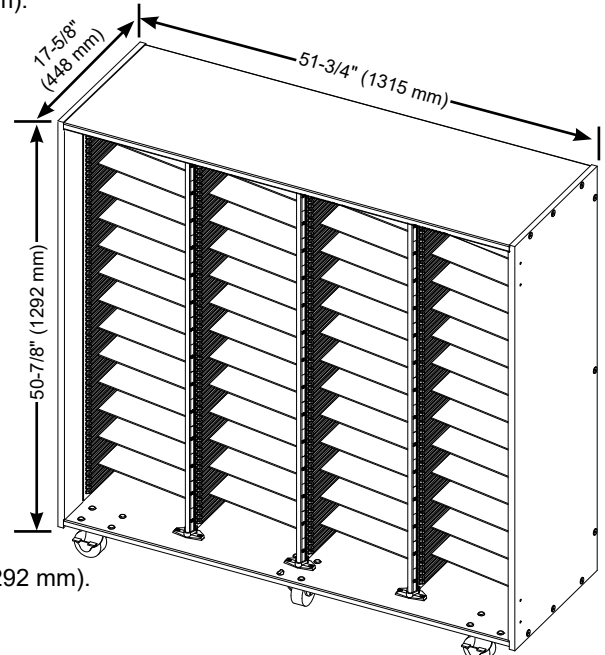
- Cabinet only 147 lbs. (67 kg), with doors: 178 lbs. (81 kg) (based on 1-1/2" shelf spacing).
- Cabinet is 32-7/16" wide x 17-5/8" deep x 50-7/8" high (824 x 448 x 1292 mm).

**146M033, Three-column Band/Orchestra Folio Cabinet:**

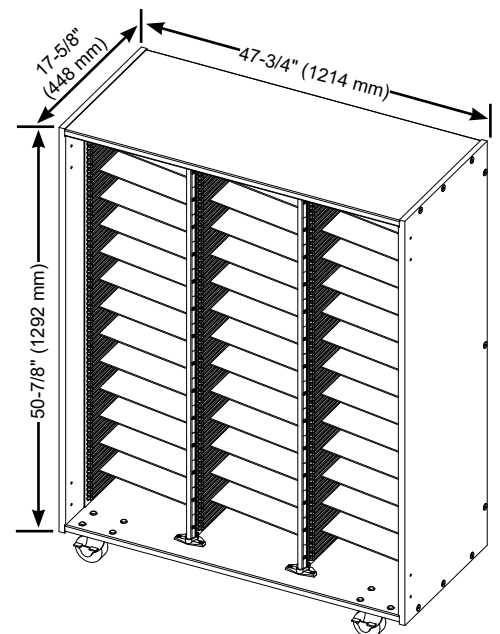
- Cabinet only 205 lbs. (93 kg), with doors: 250 lbs. (114 kg) (based on 1-1/2" shelf spacing).
- Cabinet is 47-3/4" wide x 17-5/8" deep x 50-7/8" high (1213 x 448 x 1292 mm).

**Shelf Spacing Capacity**

Cabinet	Shelf Spacing				
	1"	1-1/2"	2"	2-1/2"	3"
2-Column Choral	84	56	42	34	28
3-Column Choral	126	84	63	51	42
4-Column Choral	168	112	84	68	56
2-Column Band/Orchestra	84	56	42	34	28
3-Column Band/Orchestra	126	84	63	51	42



4-Column Choral Folio Cabinet



3-Column Band/Orchestra Folio Cabinet



© 2018 Wenger Corporation  
USA/2018-12/W

