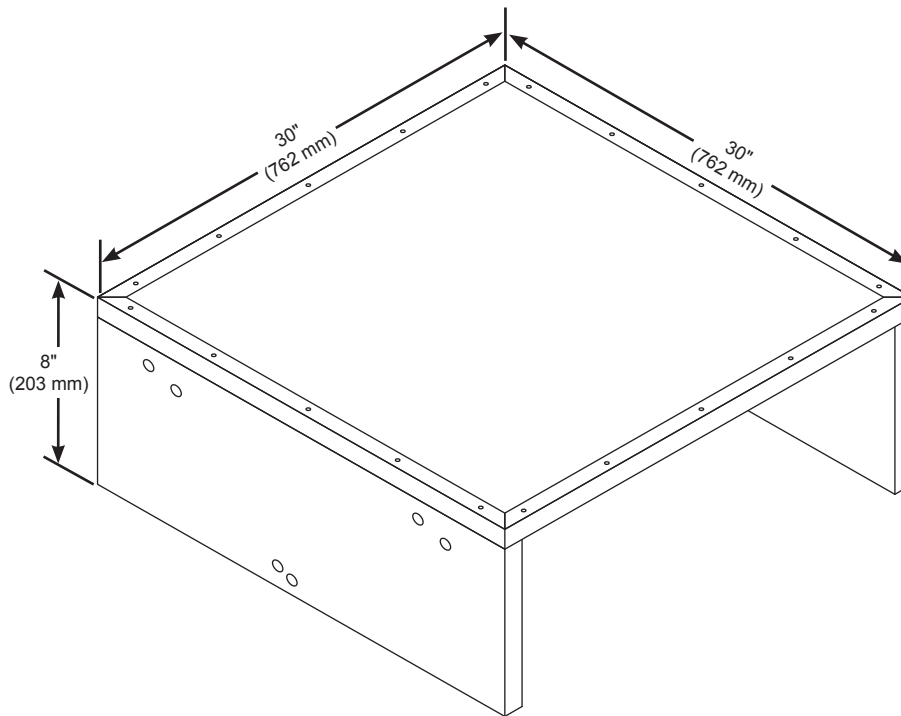


Folding Conductor's Podium

Whether you're going from room to room or across the country, the Folding Conductor's Podium's lightweight, folding design makes portability extremely easy. And the laminated plywood sides lock into position, creating a stable, secure foundation.

- 021L022 32 lbs. (14.5 kg).
- The perfect compliment to the Director's Stand.
- Interlocking design for strength and stability.
- High-quality built-in handle made for transporting.
- Durable grey carpeted surface on solid-core plywood frame.
- Tough steel edging and stable, locking hinges for extra support.
- Measures 30" w x 30" d x 8" (762 x 762 x 203 mm).
- Environmental attributes and LEED compliance for this product can be found at www.wengercorp.com/GREEN or by contacting your Wenger representative.
- Five-year warranty.



© 2017 Wenger Corporation
USA/2017-12/W

