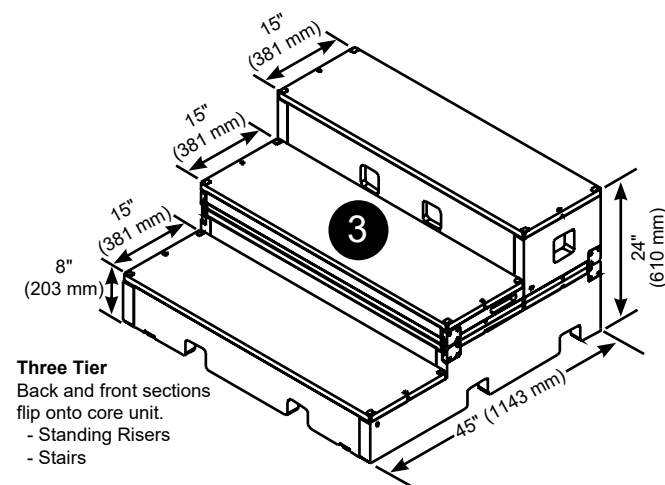
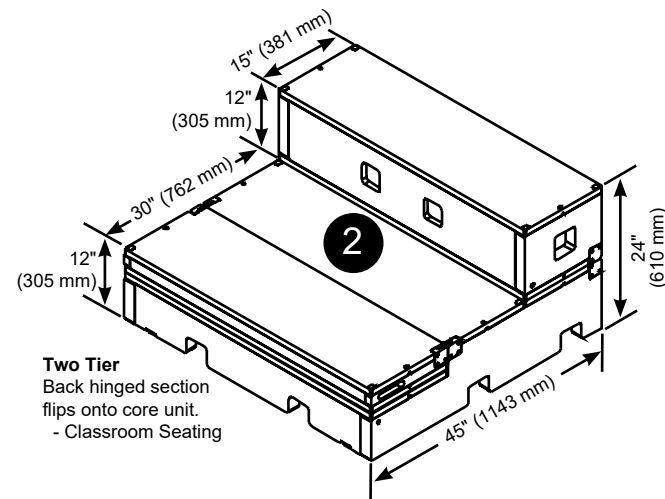
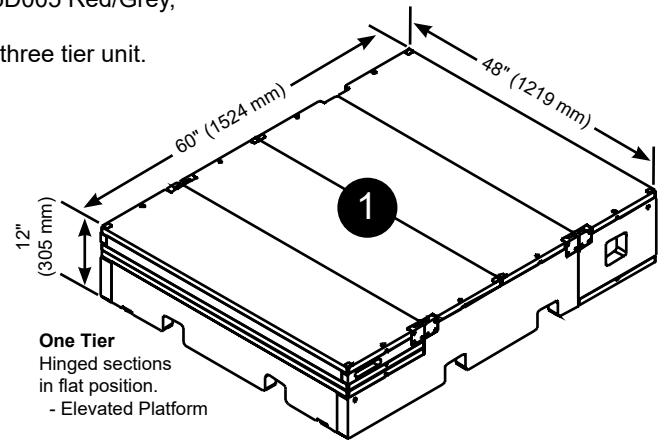


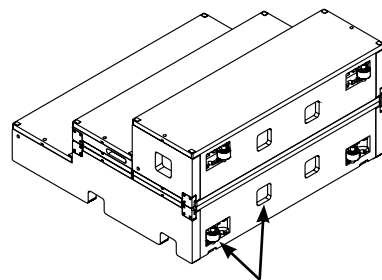
flipFORMS®

- 025D002 Blue/Grey, 025D003 Green/Grey, 025D004 Yellow/Grey, 025D005 Red/Grey, 025D027 Grey/Grey, 025D028 Black/Black (100 lbs) (45 kg).
- Takes on three basic shapes for use as a one tier platform, two tier or three tier unit.
- Has two moveable sections hinged onto a core unit.
- Flip larger back section onto core for two tiers.
Flip both back and front sections onto core for three tiers.
- When both sections are down, flipFORMS can be used as a one tier raised platform.
- Blow molded, high-density polyethylene plastic shell provides an easy-to-clean surface that's super tough.
- Shell has skid resistant texture molded into surface for added safety and surefootedness.
- Replaceable tops.
- Recessed, molded handholds on front and sides for easy positioning or carrying.
- Built-in wheels in reinforced wheel pockets provide one-person portability.
- Units store in an upright position.
- Twelve 1-1/2" (38 mm) square skid-resistant, non-marring glides positioned on the bottom of the unit. Secured by recessed screws.
- Patented hinge design maintains flat surface in all positions.
- Environmental attributes and LEED compliance for this product can be found at www.wengercorp.com/GREEN or by contacting your Wenger representative.
- Five-year warranty.



Grade Level	2-Step Tiered Seating Capacity	3-Step Riser Capacity*
Grades 1-3	8 students/unit	16 students/unit
Grades 4-6	6 students/unit	12 students/unit

*Capacity using the floor as the front row.



Wheels and recessed handles make it easy to transport flipFORMS.

Units roll, nest and store in an upright position.

