

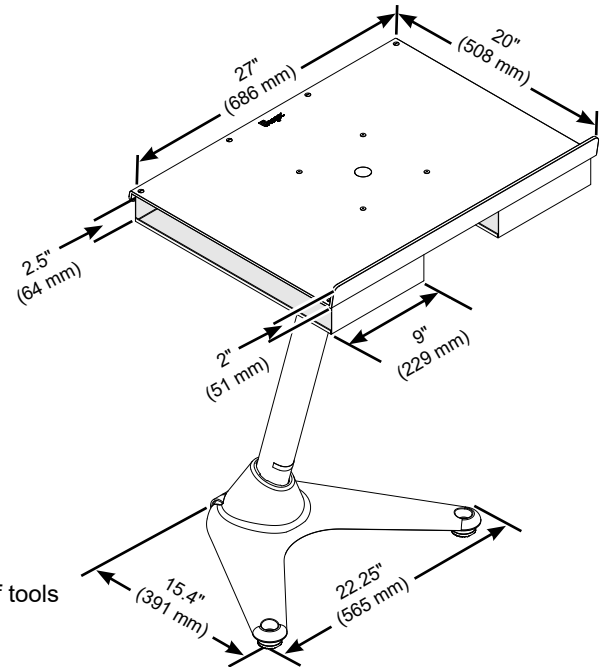
Conductor's System

An ergonomically designed, customizable system that allows the conductor to create a personal workspace perfect for his or her own needs. Easily adjust heights, angles, positions and more for a back-saving workspace. Components can work together or independently. Mix and match from the following components.

Environmental attributes for our products can be found at www.wengercorp.com/green-initiatives.php or by contacting your Wenger representative.

Flex Conductor's Stand

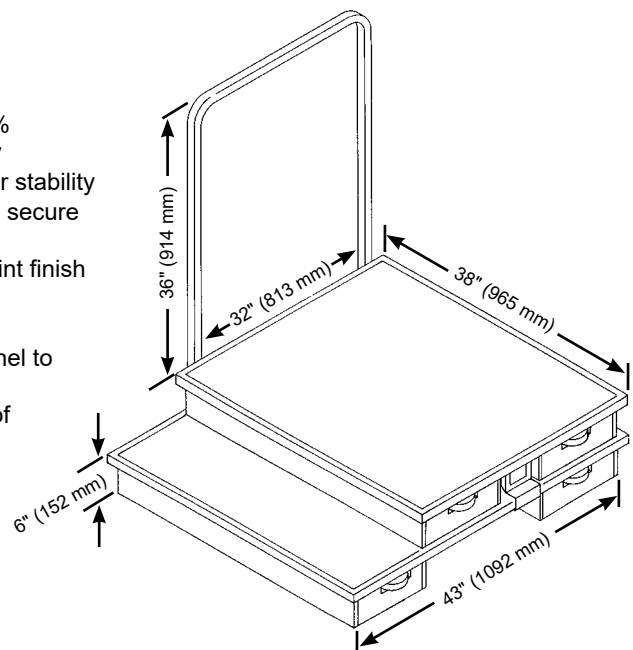
- Polycarbonate Desk 236C002 39 lb (17.7 kg)
- High-Pressure Laminate Desk 236C011 41 lb (18.4 kg)
- Provides additional storage space and will accommodate scores up to 10-1/2" x 19-1/2" (267 x 495 mm)
- Optional Storage Baskets 236C006 3.6 lb (1.6 kg)
Set of two 9" x 20" (229 x 508 mm) 22-gauge perforated steel baskets
Mounts to desk with hardware provided
- Desk is 20"x 27" (508 x 686 mm)
- Dual lock feature on desk allows desk to rotate so desk lip can be oriented toward or away from the user
- Desk lip is 2" (51 mm) high
- Desk height is adjustable in 2" (51 mm) increments by means of a trigger release lever located under the desk
- Height adjustment range from 36" – 52.5" (914 – 1334 mm) with the desk in the horizontal position
- Desk tilts from flat to vertical
- Extruded Aluminum uprights are at a 75° angle
- Cast iron base with wheels for easy transport
- Optional Storage Baskets snap into place under the desk without the use of tools
- Five-year warranty



Flex Conductor's Stand

Conductor's Podium

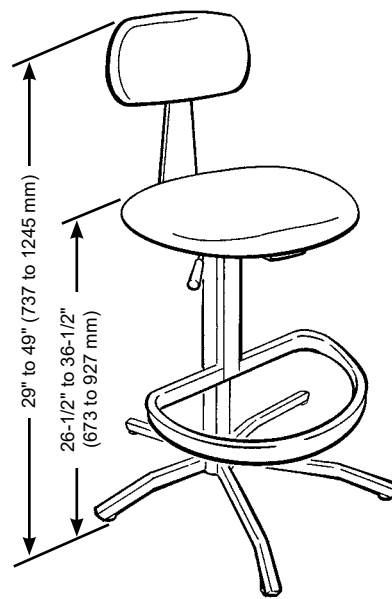
- Double: 1110302 101 lb (45 kg)
Base: 158E002 61 lb (28 kg)
Upper: 158E001 42 lb (19 kg)
- Podium tops are constructed of 5/8" (16 mm) plywood covered with 100% olefin carpet, and secured by heavy-duty steel edging; carpet color: Grey
- Each podium has eight black thermoplastic rubber pads on the bottom for stability
- Upper podium has an attached swing away vinyl coated locking clamp to secure it to the base podium
- Base is constructed of 14-gauge (2 mm) steel with black powder-coat paint finish
- Edging is 16-gauge (1.5 mm) steel; color: Grey
- Front panel is designed to allow conductor's stand to slide under podium
- Each podium has two 4" (102 mm) rubber casters recessed into front panel to move easily from room to room
- Upper podium has 36" (914 mm) high detachable guardrail constructed of 16-gauge (1.5 mm) steel
Finish: Black powder-coat paint
- Overall dimensions:
Base podium: 43" wide x 38" deep x 6" high (1092 x 965 x 152 mm)
Upper podium; 32" wide x 38" deep x 6" high (2057 x 965 x 152 mm)
- Five-year warranty



Conductor's Podium

Conductor's Chair

- 30 lb (14 kg)
- Chair frame and upright post assembly are constructed of 14-gauge steel with black powder-coat paint finish
- Seat and back are covered with Black 100% polypropylene fabric over 2" (51 mm) foam padding
- Seat height adjusts with pressurized gas cylinder in heights from 26-1/2" to 36-1/2" (673 to 927 mm)
- Seat has 170° swivel with locking feature
- Seat has three pre-determined depth settings for conductor, string bass, or percussion use
- 14-gauge (2 mm) steel foot rest is fixed to chair frame and the height adjusts with the seat
- Five 14-gauge (2 mm) steel legs designed to slide under 6" (152 mm) podium
- Overall footprint: 28" (711 mm)
- Overall height: 29" to 49" (737 to 1245 mm)
- California Technical Bulletin 117 compliant
- California Technical Bulletin 133 compliant with fire rated options
- UL GREENGUARD Certified - Product certified for low chemical emissions:
ul.com/gg - UL 2818
- Five-year warranty



Conductor's Chair

Wenger®

JRCLANCY

GEARBOSS

PURCHASE
ONLINE!



© 2022 Wenger Corporation
USA/2022-01

MUSIC EDUCATION AND PERFORMING ARTS

Owatonna Office: Phone 800.4WENGER (493-6437) Worldwide +1.507.455.4100 | Parts & Service 800.887.7145 | wengercorp.com
555 Park Drive, PO Box 448 | Owatonna | MN 55060-0448

Syracuse Office: Phone 800.836.1885 Worldwide +1.315.451.3440 | jrclancy.com | 7041 Interstate Island Road | Syracuse | NY 13209-9713

ATHLETICS Phone 800.493.6437 | email gearboss@wengercorp.com | gearboss.com | 555 Park Drive, PO Box 448 | Owatonna | MN 55060-0448