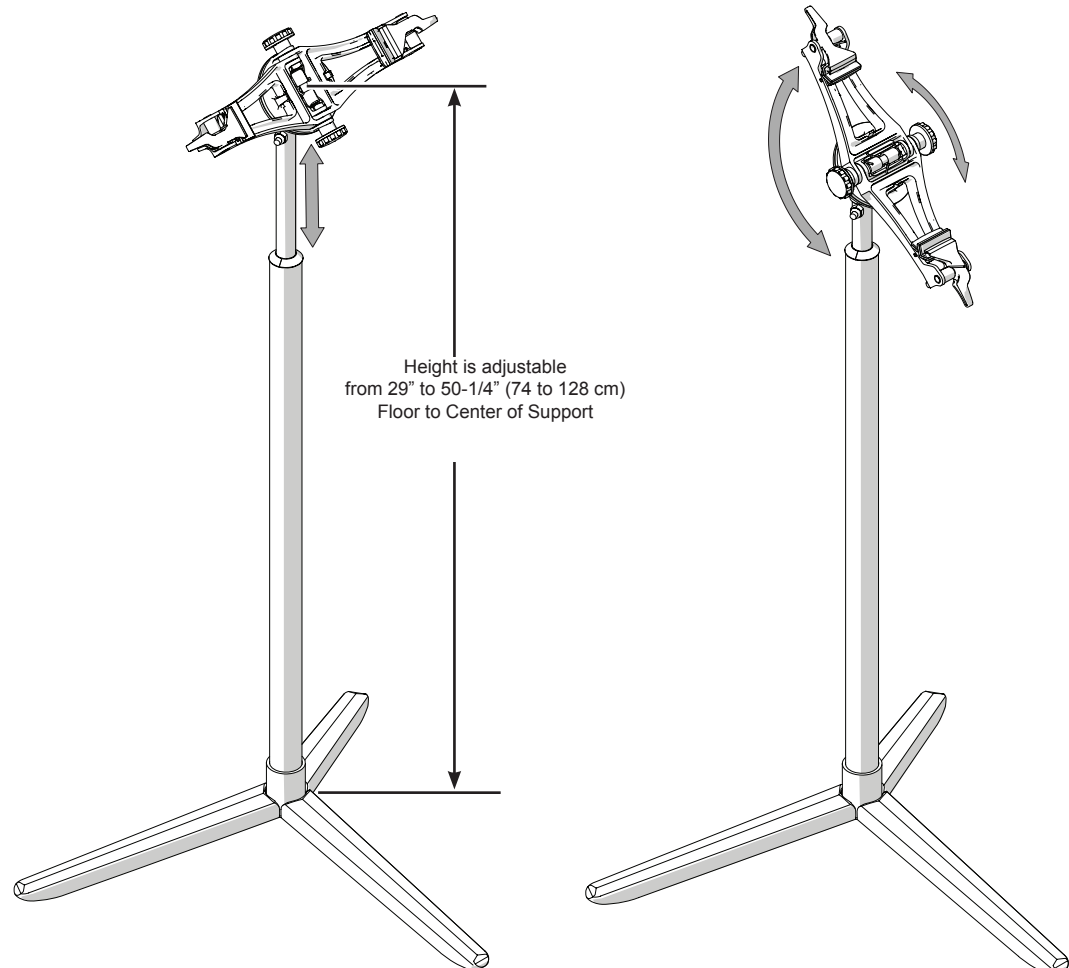


Universal Tablet Stand

- 040A149 5.1 lbs (2 kg).
- Fits smartphones and tablets with or without a case from 5" to 13.3" (13 to 34 cm).
- Adjustable arms feature side screw adjustment for secure holding.
- Spring-loaded finger clamps, with proprietary rubber coating enable maximum grip on the widest range of surface materials and textures.
- Accommodates flat and rounded device and cover surfaces.
- Provides an unobstructed view of your device's screen, as well as an uncluttered view from behind.
- 360° rotation with locking positions in portrait and landscape orientations.
- Locks into flat position when not in use.
- Bolt-thru attachment to the Stand Upright keeps the Universal Tablet Mount secure even when adjusting height.
- 12 gauge steel base in Black powder-coat paint finish for maximum stability and durability.
- 1-1/2" (3.8 cm) diameter 18-gauge outer tube for heavy-duty stability.
- 18-gauge inner post prevents denting and keeps slider mechanism functioning freely.
- Brass spring friction height adjustment mechanism adjusts height from 29" to 50-1/4" (74 to 128 cm) floor to center of support.
- GREENGUARD Indoor Air Quality Certified® and GREENGUARD Children & SchoolsSM Certified.
- Environmental attributes and LEED compliance for these products can be found at www.wengercorp.com/GREEN or by contacting your Wenger representative.
- Five-year warranty on the Stand Upright
One-year warranty on the Universal Tablet Mount.



Accessories continued on next page.

Accessories

Hands-Free Page Turner

A rugged hands-free device for turning the pages on your digital sheet music. Simple setup and operation make this a great solution for musicians who need a hand.

040A142, 0.55 lbs (0.24 kg)

- Tap the foot switches to turn the pages on your digital sheet music forward or backward.
- No messy cables, connects wirelessly to tablets or computers up to 60' (18 m) away using secure Bluetooth technology.
- Internal rechargeable battery, up to 100 hours between charges.
- Nearly indestructible, made of same material as bullet-proof glass.



Hands-Free Page Turner

Universal Tablet Mount, Single

The perfect holder for most models of tablets. Clipping your tablet in place is easy and secure.

No more resting your tablet on a stand, amp, floor, etc.

040A154, 15 oz (0.42 kg)

- Attaches to a standard 5/8" (16 mm) threaded stand or any music stand shaft using our Side Mount Extension.

Side-Mount Extension

Mount your tablet to the shaft of your music stand or mic stand.

040A140, 0.45 lbs (0.20 kg)

- Use your tablet with a traditional music stand or mic stand.
- Heavy duty steel extension bracket fits shafts up to 1" (25 mm) in diameter.
- Accepts our Universal Tablet Mount and other standard 5/8" (16 mm) threaded stand devices.
- 8" (20 cm) long with 6.25" (16 cm) extension from the shaft.



(shown on traditional music stand)

Wenger

GEARBOSS

JRCLANCY
QUALITY SINCE 1988

© 2017 Wenger Corporation
USA/2017-01/W

