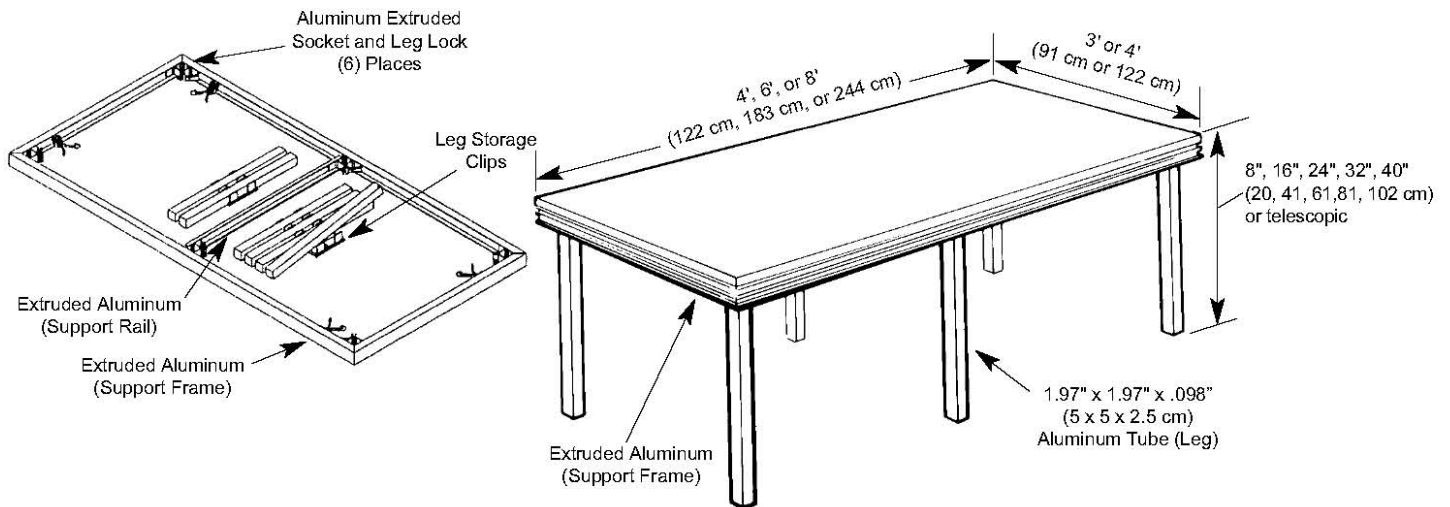




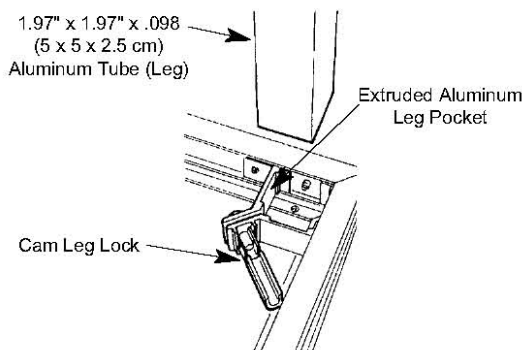
Versalite® Platforms

- Decks are available in the following sizes:
 3' x 3' (91 x 91 cm): 133G813 37 lbs (16.8 kg) 3' x 6' (91 x 183 cm): 133G818 65 lbs (29 kg)
 3' x 8' (91 x 244 cm): 133G823 87 lbs (39 kg) 4' x 4' (122 x 122 cm): 133G828 59 lbs (27 kg)
 4' x 6' (122 x 183 cm): 133G833 85 lbs (38.5 kg) 4' x 8' (122 x 244 cm): 133G838 107 lbs (48.5 kg).
- Surface options:
 Black Phenolic: Platforms are 3/4" (19 mm) plywood with slip resistant overlay.
 Natural Hardboard: Platforms are 3/4" (19 mm) using 1/2" (12 mm) plywood bonded between two faces of 1/8" (3 mm) tempered hard-ply.
 Carpeted: Manufacturer's standard grey carpet over a 3/8" (16 mm) plywood core (Contact Wenger for a sample).
 Carpet Ready: A 3/8" (16 mm) plywood core ready to receive carpet surface.
- Frame and edging are fabricated from aluminum extrusion. The extrusion is designed with special grooves to protect the top surface edge, connect adjacent platforms and attach all accessories.
- Deck units have six extruded aluminum leg sockets to accept the detachable legs.
 3' x 6' (91 x 183 cm) and 4' x 4' (122 x 122 cm) decks have four leg sockets.)
 Legs lock quickly into leg socket with the flip of a lever.
- Standard leg sizes are 8" (20 cm), 16" (41 cm), 24" (61 cm), 32" (81 cm) and 40" (102 cm).
 Custom leg sizes are available.
- Adjustable telescopic leg sets 16" (41 cm) - 28" (71 cm) or 24" (61 cm) - 40" (102 cm).
- Legs are made from aluminum and have a plastic cap to protect flooring.
 Optional legs are available with adjustable screw-type feet to accommodate uneven surfaces.
- Unit-to-unit connectors are provided to lock units together, both side-to-side and end-to-end, and provide strength and uniformity throughout the stage system.
- Five-year warranty. Guaranteed free of defects in material and workmanship for five full years.

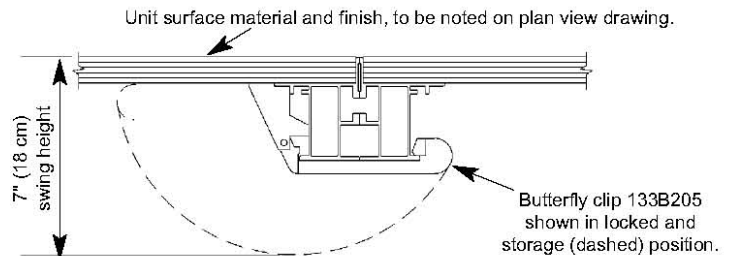
Versalite® Typical Staging Unit



Leg Pocket Detail



Typical Unit to Unit Connection



Accessories

Transport Carts

- 10-unit: 133A488 68 lbs (31 kg) 8-unit: 113F001 85 lbs (38.5 cm).
- 10-unit cart ideal for space efficient storage of rectangular units (double door required).
- 8-unit cart ideal for non-rectangular units such as pie shapes used in seated risers and oversize units used in the Portable Disability Ramp or when no double door is available (fits through a 32" (81 cm) door).

Stairways

- 2-step: 113B016 68 lbs (31 kg) 3-step: 113B026 88 lbs (40 kg) 4-step: 113B027 108 lbs (49 kg).
- 2-, 3- and 4-step stairways are available. All stairways feature non-slip safety treads and include permanent handrails on both sides. Steps measure 39" long x 11" wide (99 x 28 cm). Black finish.

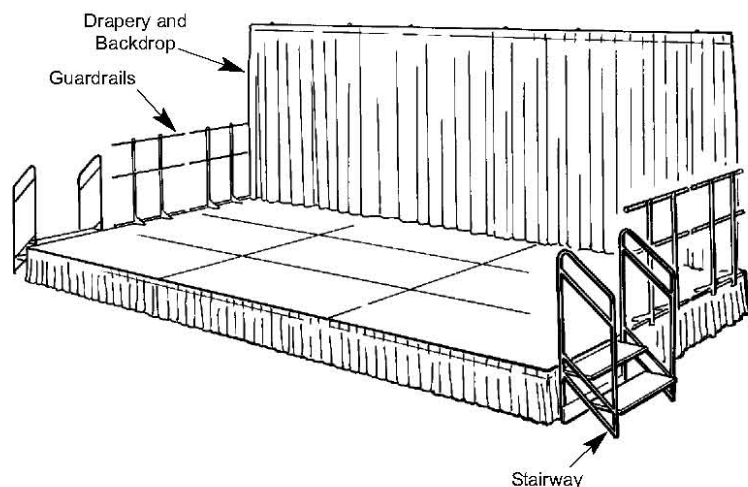
Rails

- Guardrails comply with many building code requirements for loading.
- Guardrails are available with either 2 cross bars or an infill panel that complies with the 4" (10 cm) sphere rule that appears in many building codes. Both designs incorporate a chair stop.
- Guardrails are 42" (107 cm) high with a black powder paint finish. Chair stop has a dark grey powder paint finish.
- Guardrails clamp to the stage without the need for tools.

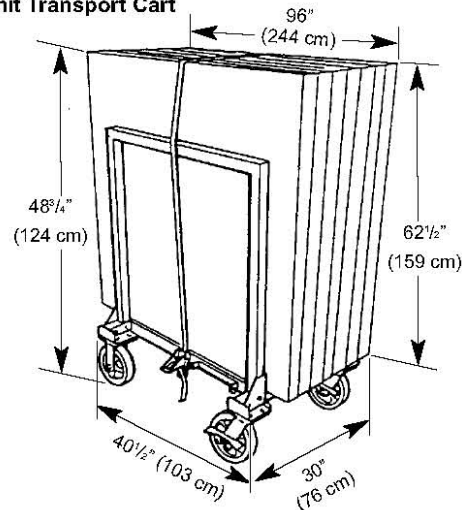
Draperies and Backdrop

- Drapery closures are available in heights to match the staging elevations.
- Dual height drapery is available for the dual height stages.
- Drapery available in a wide variety of colors. 100% fire retardant woven polyester.
- Drapery attaches with hook and loop fastening system.
- Backdrop frame attaches to guardrails for safety.
When installed backdrop is 8' (244 cm) above the stage.
Available in 4' (122 cm), 6' (183 cm), and 8' (244 cm) widths.

Guardrail, Stairway, Backdrop and Drapery



8-Unit Transport Cart



10-Unit Transport Cart

