

Stringed Instrument Rack

- End panels are $\frac{3}{4}$ " (19 mm) thermoset composite wood. Color is maple.
- Edging is 3mm bonded PVC in oyster color.
- Racks have $2\frac{1}{2}$ " (6 cm) swivel casters in brass finish for easy transport.
- Three-year warranty.
- Assembly required.

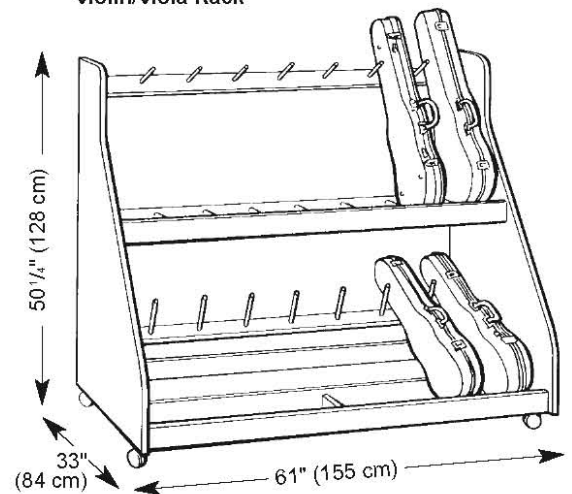
Bass and Cello Racks

- Three-unit Bass Rack: 1240226 (68 lbs.)(31 kg)
- Four-unit Bass Rack: 1240227 (75 lbs.)(34 kg)
- Four-unit Cello Rack: 1240125 (51 lbs.)(23 kg)
- Six-unit Cello Rack: 1240127 (61 lbs.)(28 kg)
- Lower cross supports are plywood core maple laminated panels with padded grey upholstery edging to protect instruments.
- Upper cross supports are plywood core, maple laminated panels with plastic molded neck supports to protect instruments.
- Racks have brass bow pegs.
- Holds instruments $\frac{1}{4}$ sized and up.

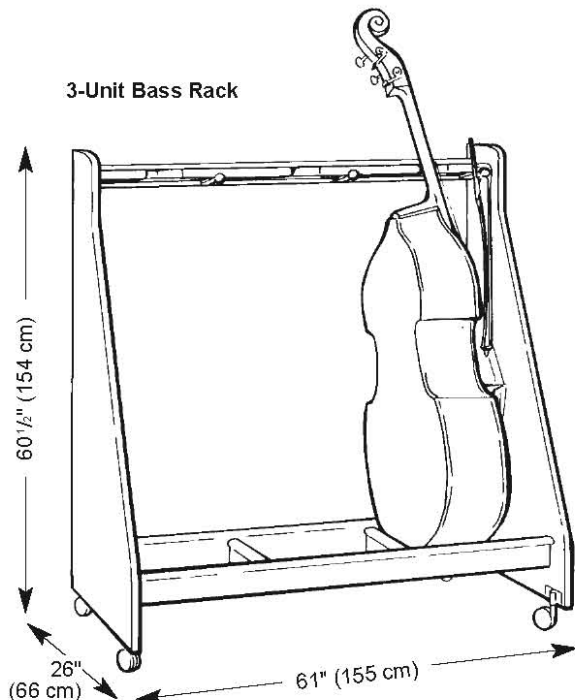
Violin/Viola Rack

- 1240337 (74 lbs.)(34 kg)
- Double-tiered rack moves and stores up to 16 instruments.
- Cross supports are plywood core laminated maple panels with PVC bonded edging on top and bottom supports.
- Spacer pegs are solid maple.
- Holds cased instruments $\frac{1}{4}$ size and up.

Violin/Viola Rack

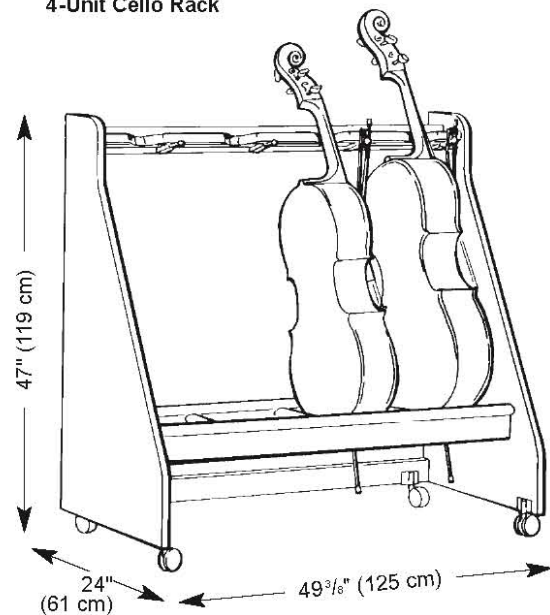


3-Unit Bass Rack



(4-Unit Bass Rack: 80 5/8" (205 cm) wide)

4-Unit Cello Rack



(6-Unit Cello Rack: 73 1/8" (186 cm) wide)